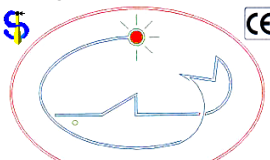


ABSOLUTELY NEW!
Electronic device – intelligent and interactive – to detect unambiguously the biting of a fish.



FlashFish

Made in Italy
"PATENT COVERED"
 All rights reserved. No parts can be reproduced, diffused or transmitted in any form or by any means: electronic, mechanic, paper copies, microfilms or others, without a signed permission of Interactive Systems s.r.l.

FlashFish is an electronic device, interactive and intelligent, automatic and self regulating, which satisfies the most challenging requirements in amateur and professional sport fishing. It can distinguish from all the vibrations of the fishing rod (due to the wind, streams or sea waves) just those related to the biting of the fish, even small sized ones.

- Basic characteristics.**
- Total weight (with the plastic support): 2,2 gr.
 - Light emission visibility: up to 150 m.
 - Operating temperature: -20 / +70 °C.
 - Self -Testing function included.
 - Easy to apply without any damage to the fishing rod of any type.
 - Water (and other atmospheric agents) resistant.
 - Cannot be activated by mistake.
 - Ecological (it is not a " throw-away" object)

- Operating mode**
 The built in power source supplies energy in an "intelligent" way according to four different modes
- **OFF**
 The detector is not active, no power consumption, though the cylinder is mounted.
 - **ON**
 The detector is active.
 Three different sub possibilities are available:

- 1) Full light .**
 High luminosity at the biting of the fish.
- 2) Adaptive light.**
 Variable intensity light according to the environment illumination.
- 3) Flashing light.**
 When the battery becomes low, only a flashing light is activated, thus allowing to end up the fishing session.

The complete set

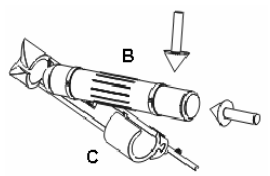
The complete detector is provided in a package which comprises:

A) a housing;
B) the actual detector (in form of a cylinder);
C) a support to hold the detector;
D) a set of four adapters (having different sizes) to enable the mounting on any fishing rod;
E) instructions sheet.

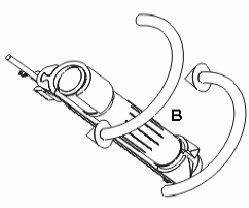
Environment protection
 In order to avoid accumulation of waste, for each 20 samples which are returned to the seller, one will be delivered for free.

Use.
 The device is ready to use without requiring particular skills. The ease use of the **FlashFish** its peculiar characteristic.

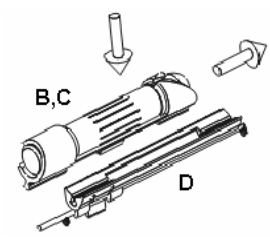
1) - Before mounting it on the rod, test the cylinder B inserting it in the support C.



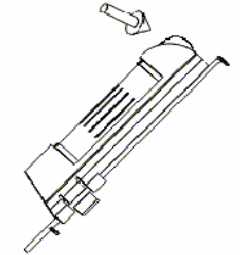
2) – Check that the light are working, placing it horizontally and rotating the detector B with respect to the support C, until the reference marks are aligned and a snap is produced.



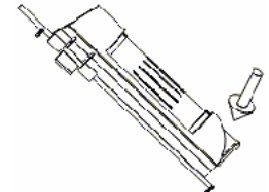
3) – Apply the system B+C on the tip using the adapter D.



4) – Proper mounting (for self-casting fishing).




5) – The detector B can be inserted in the support C, also in the opposite direction, (as it is required for ledger-tackle fishing, in which the tip is oriented downward, also is soaked in the water).



It is implicit, that the choice of the operating mode is largely depending both on the experience and skill of the fisher and the sensitivity of the fishing rod used.

For further information contact us at the following address:

 **INTERACTIVE SYSTEMS s.r.l.**
 Internet: www.interactivesystems.it
 E-mail: interactivesystems@tiscali.it
 Fax: + 39 06 5083333